

Pressure gauge

industrial design series 2040

case dim 100 mm

E 02.02.01

Ed.17.01

Application	Industrial pressure gauge. Suitable for media that will not obstruct the pressure system or attack copper alloy parts
Design	EN 837-1
Series	2040
WIKA model	212.20
Case size	Nominal size dim 100 mm
Accuracy	Class 1,0%
Case	Stainless steel with bayonet ring
Window	Instrument glass
Pressure element	Copper alloy
Movement	Copper alloy
Dial	Aluminium, white with black lettering
Pressure unit	Bar. Option with unit bar/Pa, bar/psi, kPa, MPa, psi
Pressure connection	G3/8" or G1/2" male Option with G1/4", 1/4"NPT or 1/2"NPT
Mounting	Lower or back mount, also with back flange, front flange or triangular bezel with clamp
Ingress protection	IP 54 acc.to EN 60529/IEC 529
Pressure limitation	Full scale value by steady pressure 90% of full scale value by fluctuating pressure By short time pressure 1,3 x of full scale value
Permissible temperature	Medium temperature max -40 till +80°C Ambient temperature max -40 till +60° C
Certificates	Certificate EN 10204 can be delivered as options Test report wetted parts EN 10204-2.2 Inspection certificate wetted parts EN 10204-3.1 Calibration certificate with 5 measuring points Calibration certificate EN 10204-3.1 or DKD-calibration
Production options	Design Degreased for oxygen services Dial with colored sectors or with customer logo



2040
Lower mount



2041
Back mount



2045
Lower mount
back flange



2047
Back mount
front flange



2048
Back mount
bezel and clamp



2049
Lower mount
front flange

Pressure gauge

industrial design series 2040

case dim 100 mm

E 02.02.01



Pressure range	Interval	Divisions
0-0,6 bar	0,01	60
0-1 bar	0,02	50
0-1,6 bar	0,05	32
0-2,5 bar	0,05	50
0-4 bar	0,1	40
0-6 bar	0,1	60
0-10 bar	0,2	50
0-16 bar	0,5	32
0-25 bar	0,5	50
0-40 bar	1,0	40
0-60 bar	1,0	60
0-100 bar	2,0	50
0-160 bar	5,0	32
0-250 bar	5,0	50
0-400 bar	10,0	40
0-600 bar	10,0	60
0-1000 bar	20,0	50
-1/0 bar	0,02	50
-1/+1,5 bar	0,05	50
-1/+3 bar	0,1	40
-1/+5 bar	0,1	60
-1/+9 bar	0,2	50
-1/+15 bar	0,5	50
-1/+24 bar	0,5	50

Accuracy

Max permissible error 1,0%

The accuracy is expressed as a percentage of full scale range. Permissible error 1,0% will cover 0% till 100% of scale range with a reference temperature of +20°C.

Ex. Pressure range 0-10 bar has an error of $\pm 0,1$ bar

Temperature effect

Temperature of the measuring system over or under the reference temperature +20°C will effect the accuracy with 0,4 percentage per +10°C. With a medium temperature of +40°C the accuracy will be $\pm 1,8\%$.

Alternative design

Liquid filling

Case with liquid filling

Type 2750 datasheet E02.05.02

Low pressure

Pressure range < 0-0,6 bar

Pressure range from 2,5 mbar to 400 mbar

Type 2060 datasheet E02.16.03

High pressure

Pressure range > 0-1000 bar

Pressure range 0-1600 bar or 0-2500 bar

Type 2950 HP1 datasheet E02.11.01

Test gauge

Pressure gauge for testing and calibration 0,6%

Type 3030.160 datasheet E02.20.01

With electrical contact

With electrical contact

One or two electrical contact mounted in the case

Max- and/or minfunction

Type PGS21.100 datasheet E02.52.01

With electrical contact device

One or two electrical contact mounted outside the case

Max- and/or minfunction

Datasheet E02.60.01









Pressure gauge

industrial design series 2040

case dim 100 mm

E 02.02.01

Code number case dim 100 mm connection G3/8							
		2040	2041	2045	2047	2048	2049
Connect	Range	Lower	Back	Back flange	Front flange	Clamp	Front flange
G3/8	0-0,6 bar	x	x	x	x	x	x
G3/8	0-1 bar	20404002	x	20454002	x	x	20494002
G3/8	0-1,6 bar	20404003	x	20454003	x	x	20494003
G3/8	0-2,5 bar	20404004	20414004	20454004	20474004	20484004	20494004
G3/8	0-4 bar	x	20414006	x	20474006	20484006	x
G3/8	0-6 bar	20404007	20414007	20454007	20474007	20484007	20494007
G3/8	0-10 bar	20404008	20414008	20454008	20474008	20484008	20494008
G3/8	0-16 bar	20404011	20414011	20454011	20474011	20484011	20494011
G3/8	0-25 bar	20404013	20414013	20454013	20474013	20484013	20494013
G3/8	0-40 bar	x	x	x	x	x	x
G3/8	0-60 bar	x	x	x	x	x	x
G3/8	0-100 bar	x	x	x	x	x	x
G3/8	0-160 bar	x	x	x	x	x	x
G3/8	0-250 bar	x	x	x	x	x	x
G3/8	0-400 bar	x	x	x	x	x	x
G3/8	0-600 bar	x	x	x	x	x	x
G3/8	0-1000 bar	x	x	x	x	x	x
G3/8	-1/0 bar	20404040	x	20454040	x	x	20494040
G3/8	-1/+1,5 bar	20404066	20414066	20454066	20474066	20484066	20494066
G3/8	-1/+3 bar	x	20414067	x	20474067	20484067	x
G3/8	-1/+5 bar	20404068	20414068	20454068	20474068	20484068	20494068
G3/8	-1/+9 bar	20404069	20414069	20454069	20474069	20484069	20494069
G3/8	-1/+15 bar	20404071	20414071	20454071	20474071	20484071	20494071
G3/8	-1/+24 bar	20404072	20414072	20454072	20474072	20484072	20494072




Pressure ranges marked with x only as option or as design
2840, 2841, 2845, 2847, 2848 or 2849 acc.to datasheet 02.08.02

Pressure gauge

industrial design series 2040

case dim 100 mm

E 02.02.01

Code number case dim 100 mm connection G1/2				
		2040	2045	2049
Conn.	Range	Lower	Back flange	Front flange
G1/2	0-0,6 bar	x	x	x
G1/2	0-1 bar	x	x	x
G1/2	0-1,6 bar	x	x	x
G1/2	0-2,5 bar	x	x	x
G1/2	0-4 bar	20404406	20454406	20494406
G1/2	0-6 bar	20404407	20454407	20494407
G1/2	0-10 bar	20404408	20454408	20494408
G1/2	0-16 bar	20404411	20454411	20494411
G1/2	0-25 bar	20404413	20454413	20494413
G1/2	0-40 bar	20404415	20454415	20494415
G1/2	0-60 bar	x	x	x
G1/2	0-100 bar	x	x	x
G1/2	0-160 bar	x	x	x
G1/2	0-250 bar	x	x	x
G1/2	0-400 bar	x	x	x
G1/2	0-600 bar	x	x	x
G1/2	0-1000 bar	x	x	x
G1/2	-1/0 bar	x	x	x
G1/2	-1/+1,5 bar	x	x	x
G1/2	-1/+3 bar	20404467	20454467	20494467
G1/2	-1/+5 bar	20404468	20454468	20494468
G1/2	-1/+9 bar	20404469	20454469	20494469
G1/2	-1/+15 bar	20404471	20454471	20494471
G1/2	-1/+24 bar	20404472	20454472	20494472

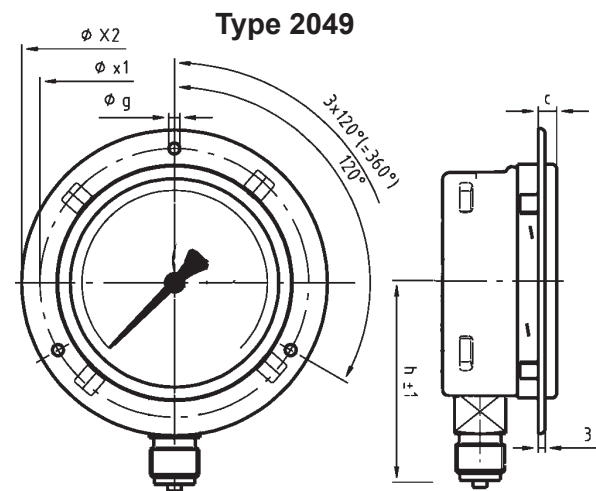
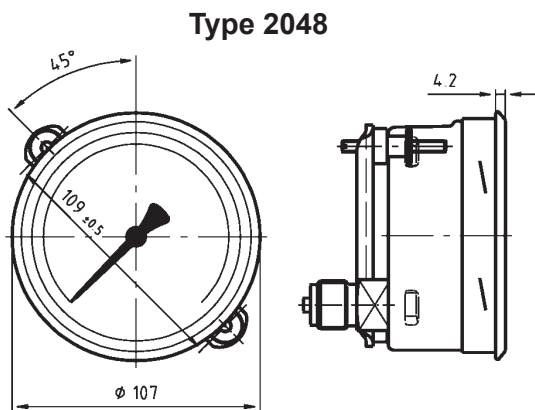
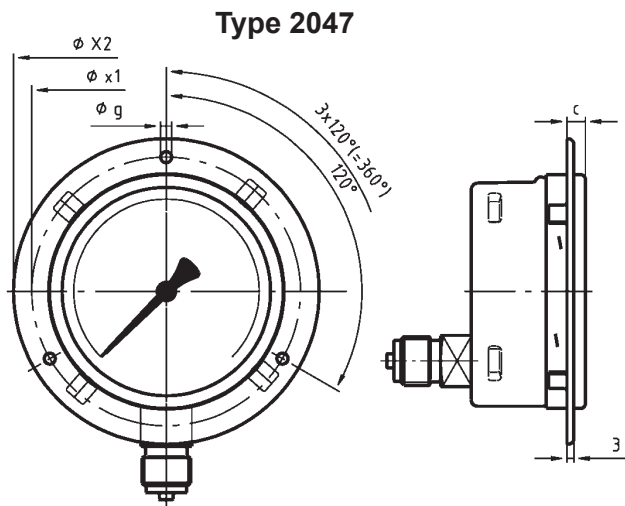
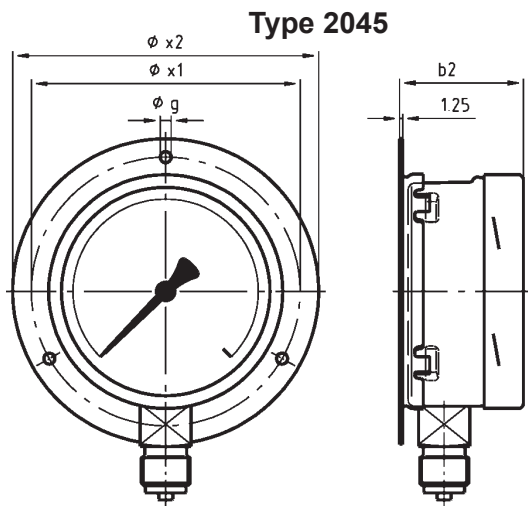
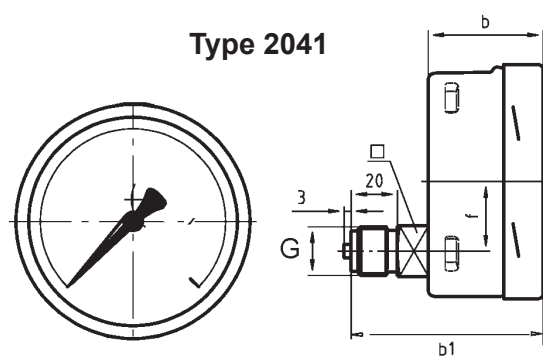
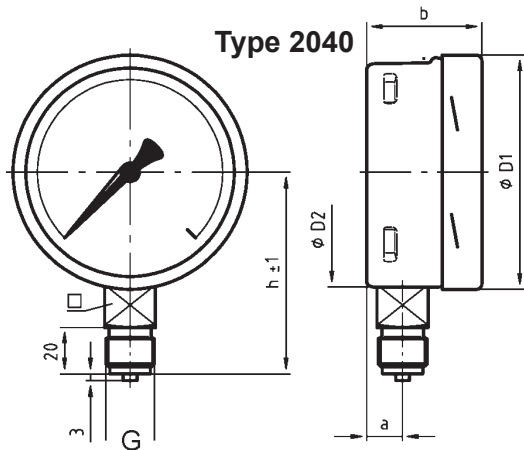
Pressure ranges marked with x only as option or as design
2840, 2841, 2845, 2847, 2848 or 2849 acc.to datasheet 02.08.02

Pressure gauge

industrial design series 2040

case dim 100 mm

E 02.02.01



Dim ϕ	a	b	b_1	b_2	D_1	D_2	x1	x2	g	$h \pm 1$	f	c	kg	G*
100	15,5	49,5	83	53,5	101	99	116	132	4,8	87	30	8	0,6	G3/8-G1/2